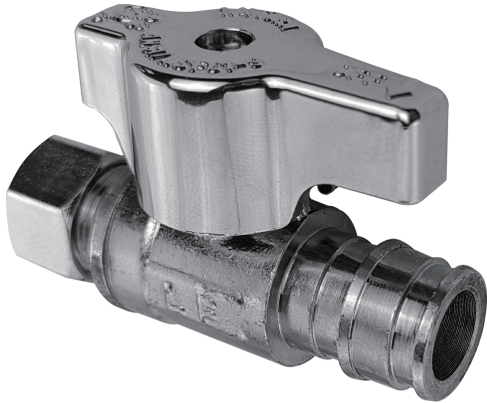


STRAIGHT STOP QUARTER TURN



TECHNICAL DATA

DESCRIPTION:
3/8" O.D. Comp. Outlet x 1/2" F1960 PEX Inlet
Straight Stop Quarter Turn

CONSTRUCTION:
Solid Brass Body and Brass Stem, Plastic Handle,
Sealing Ring, Brass Ball

FINISH:
Chrome Plated finish

CODE APPROVALS:
UPC approved. Complies w/ NSF-61

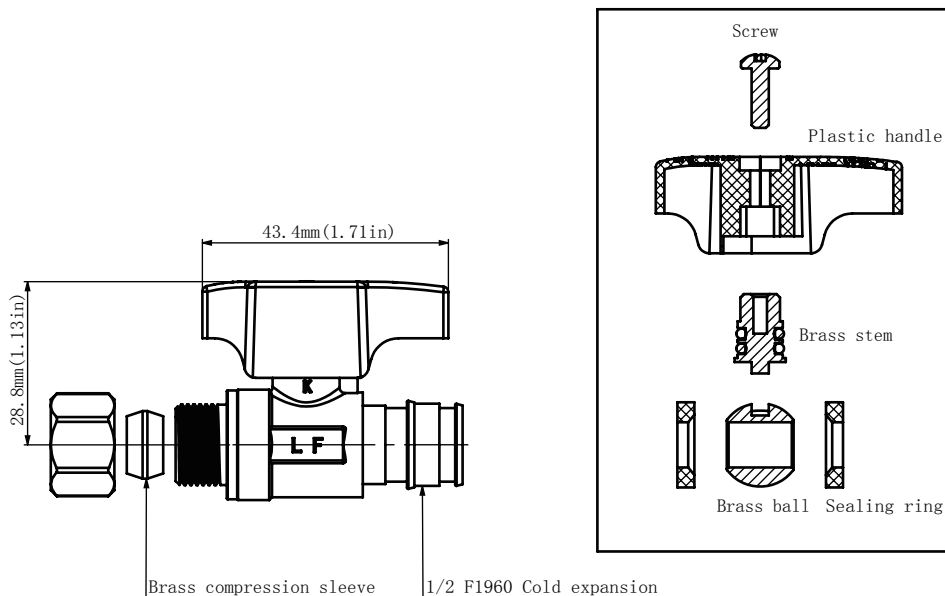
PACKAGING:
Color Box w/ Barcode
Inner carton: 20
Master carton: 80

PART#	DESCRIPTION	FINISH
SS-EXP-QT	3/8"OD Comp. X 1/2" F1960 PEX	Chrome



Country of origin: China

ROUGH IN DRAWING



ALL DIMENSIONS SHOWN ARE NOMINAL

Meets requirements for NSF-61

