

ANGLE STOP QUARTER TURN



TECHNICAL DATA

DESCRIPTION:
3/8" O.D. Comp. Outlet X 1/2" Sweat Inlet Angle Stop Quarter Turn

CONSTRUCTION:
Solid Brass Body, Brass Stem, Brass Ball, Zinc Handle, Sealing Ring

FINISH:
Chrome Plated finish

CODE APPROVALS:
UPC approved. Complies w/ NSF-61

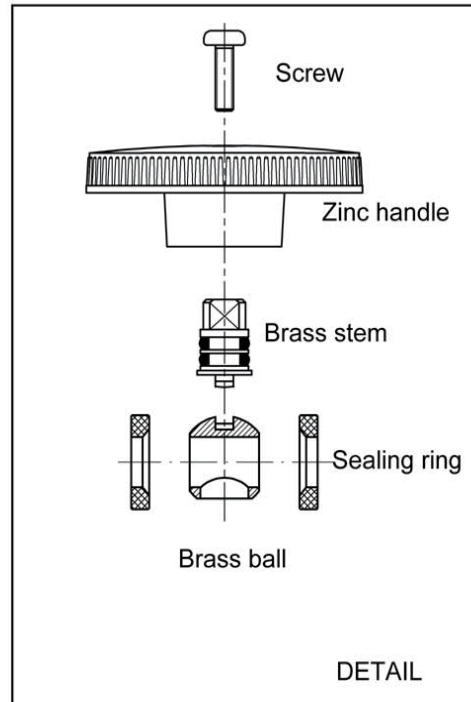
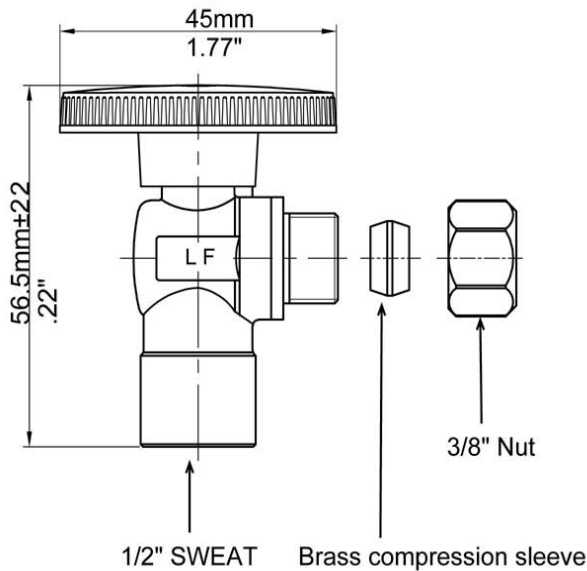
PACKAGING:
Color Box w/ Barcode
Inner carton: 20
Master carton: 80

PART#	DESCRIPTION	FINISH
AS-SWT-QT	3/8"OD Comp. X 1/2" Sweat	Chrome



Country of origin: China

ROUGH IN DRAWING



ALL DIMENSIONS SHOWN ARE NOMINAL

Meets requirements for NSF-61
Approved