

1/2" MIP CONNECTION BRASS BOILER DRAIN VALVE



TECHNICAL DATA

DESCRIPTION:
1/2" MIP Connection Brass Boiler Drain Valve

CONSTRUCTION:
Brass Body / Lock Cap / Stem, Steel Gasket / Screw / Nut, NBR Liner / Sealplate, Cast Iron Hand Wheel

FEATURE:
Maximum pressure: 125 PSI
Temperature range: -20 °F to 200 °F
Solder ends comply with ANSI B16. 18
Threaded ends comply with ANSI B1.20.1
Designed for use with water or oil
Connection type: MIP X NH

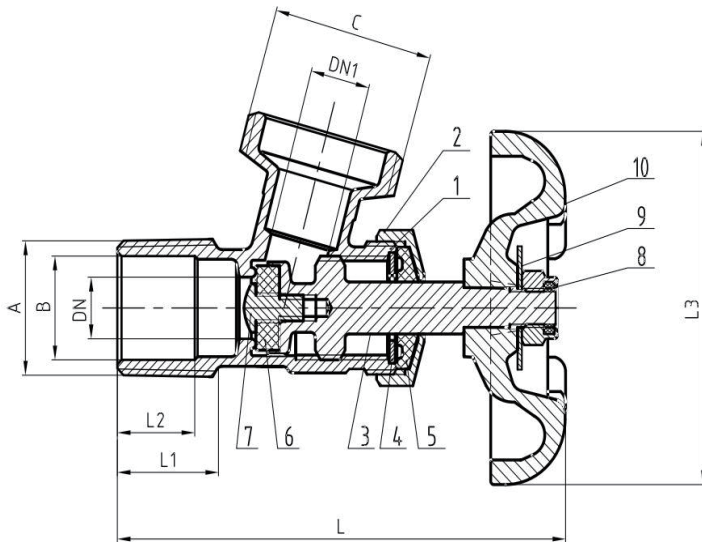
CODE APPROVALS:
CSA Listed

PART#	DESCRIPTION	FINISH
BD-MIP-12	1/2" MIP Connection Brass Boiler Drain Valve	Forged



Country of origin: China

ROUGH IN DRAWING



No.	Item	Material	Qty	Notes
1	Body	C46500	1	Surface Plain
2	Lock Cap	C37710	1	Surface Plain
3	Stem	C46500	1	Surface Plain
4	Gasket	Steel	1	Surface Plain
5	Liner	NBR	1	Surface Plain
6	Sealplate	NBR	1	Φ 13 X Φ 4.2 X 4
7	Screw	Steel	1	M4 X 8
8	Nut	Steel	1	M6 X 4.5 X S10
9	Nameplate	Aluminium	1	Φ 19 X Φ 6 X 0.2
10	Hand Wheel	Cast Iron	1	Surface Spray

Size	A	B	C	DN	DN1	L	L1	L2	L3
1/2" MIP/C X 3/4" NH	1/2" -14NPT	Φ 16.0	3/4" NH	Φ 9.5	Φ 10.5	75.5	16.5	13.0	54.5

ALL DIMENSIONS SHOWN ARE NOMINAL

Meets requirements for CSA