



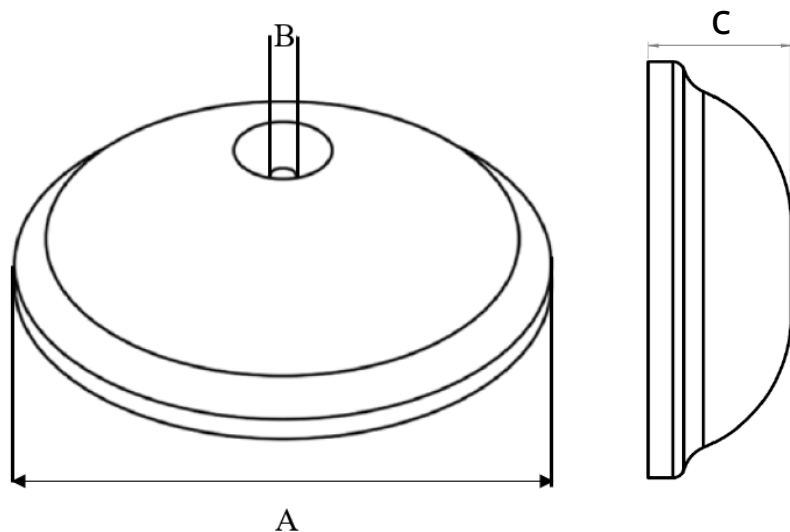
Features

ABS Construction

#14 Wood Screw Included

Bell Design

White



Unit: inches

Model#	Description	A	B	C
COC-B-5	5-1/4" Cleanout Cover Plate, Bell Design w/ Screw	5.37	0.30	1.49
COC-B-7	7-1/4" Cleanout Cover Plate, Bell Design w/ Screw	7.37	0.30	1.57