

STAINLESS STEEL BRAIDED CLOSET SUPPLY LINE



Peace of Mind for the Professional Plumber

TECHNICAL DATA

DESCRIPTION: Stainless Steel Braided
3/8" Comp x 7/8" Ballcock Brass Nut x 16"

CONSTRUCTION: PVC Hose - Stainless Steel Braid - Brass Nuts - Brass Barbs - Rubber Washers - Steel Ferrules

FINISH: Stainless Steel Braiding
Nickel Plated Brass Nuts

FLOW RATE: 125 PSI Max. Burst Pressure
200 °F Max Working Temp.

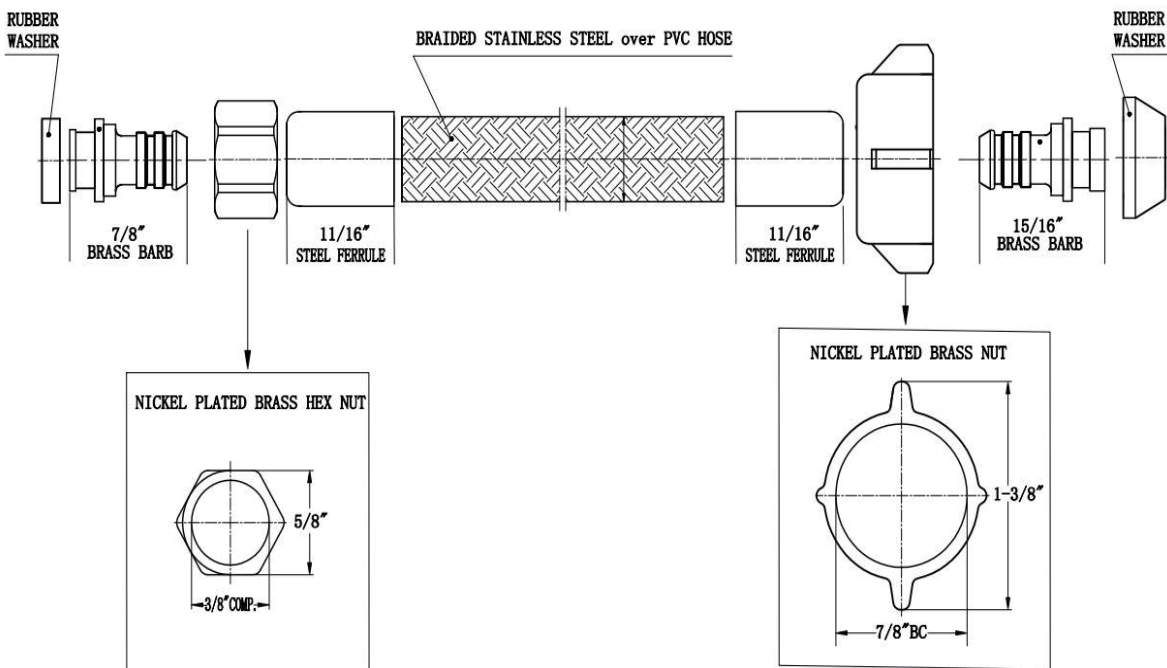
CODE APPROVALS:

cUPC and CSA approval - meets NSF-61 standards



PART#	DESCRIPTION	FINISH
CS-BS-16	Stainless Steel Braided 3/8" Comp x 7/8" Ballcock Brass Nut x 16"	Stainless

ROUGH IN DRAWING



ALL DIMENSIONS SHOWN ARE NOMINAL