

1/2" IP/CC CONNECTION BRASS HOSE BIBB



TECHNICAL DATA

DESCRIPTION:
1/2" IP/CC Connection Brass Hose Bibb

CONSTRUCTION:
Brass Body / Stem / Bonnet, EPDM Rubber Gasket, Zinc Handle, SS304 Gasket and Screw

FEATURE:
Maximum pressure: 125 PSI
Maximum temperature: 160 °F
Outlet 3/4" hose thread complies with ANSI B1.20.7
Inlet pipe thread complies with ANSI B1.20.1
Designed for use in irrigation applications only
Easy operation and great flow

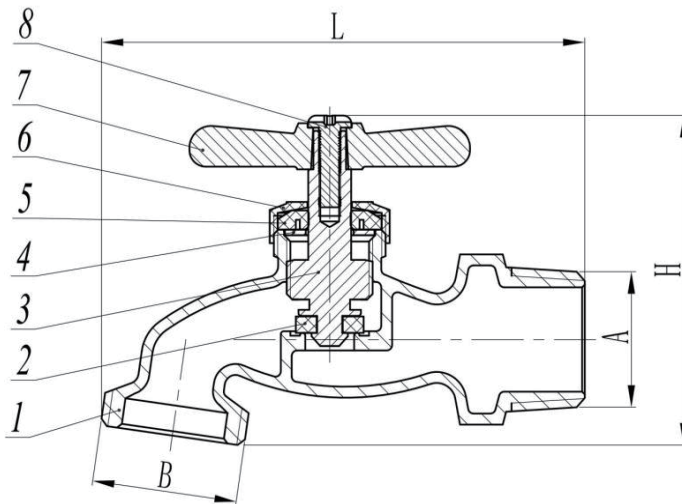
CODE APPROVALS:
CUPC Listed

PART#	DESCRIPTION	FINISH
HB-IPCC-12	1/2" IP/CC Connection Brass Hose Bibb	Forged



Country of origin: China

ROUGH IN DRAWING



No.	Part Name	Material
1	Body	Brass
2	Rubber Gasket	EPDM
3	Stem	Brass
4	Gasket	SS304
5	Rubber Gasket	EPDM
6	Bonnet	Brass
7	Handle	Zinc
8	Screw	SS304

Item No.	Description	A	B	H	L
HB-IPCC-12	1/2" MPT x 3/4" MHT Hose Bibb	1/2"NPT	3/4"-11.5NH	84	60

ALL DIMENSIONS SHOWN ARE NOMINAL

Meets requirements for CUPC