

# 3/4" IP/CC CONNECTION BRASS HOSE BIBB



## TECHNICAL DATA

**DESCRIPTION:**  
3/4" IP/CC Connection Brass Hose Bibb

**CONSTRUCTION:**  
Brass Body / Stem / Bonnet, EPDM Rubber Gasket, Zinc Handle, SS304 Gasket and Screw

**FEATURE:**  
Maximum pressure: 125 PSI  
Maximum temperature: 160 °F  
Outlet 3/4" hose thread complies with ANSI B1.20.7  
Inlet pipe thread complies with ANSI B1.20.1  
Designed for use in irrigation applications only  
Easy operation and great flow

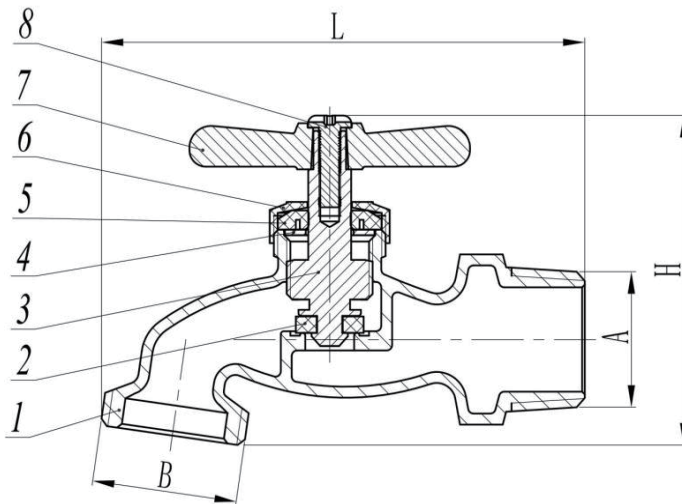
**CODE APPROVALS:**  
CUPC Listed

PART#	DESCRIPTION	FINISH
HB-IPCC-34	3/4" IP/CC Connection Brass Hose Bibb	Forged



Country of origin: China

### ROUGH IN DRAWING



No.	Part Name	Material
1	Body	Brass
2	Rubber Gasket	EPDM
3	Stem	Brass
4	Gasket	SS304
5	Rubber Gasket	EPDM
6	Bonnet	Brass
7	Handle	Zinc
8	Screw	SS304

Item No.	Description	A	B	H	L
HB-IPCC-34	3/4" MPT x 3/4" MHT Hose Bibb	3/4"NPT	3/4"-11.5NH	89	60

ALL DIMENSIONS SHOWN ARE NOMINAL

Meets requirements for CUPC