

STAINLESS STEEL BRAIDED LAVATORY SUPPLY LINE DELTA STYLE CONNECTOR



Peace of Mind for the Professional Plumber

TECHNICAL DATA

DESCRIPTION: Stainless Steel Braided 3/8" Female Comp x 3/8" Male Comp x 20" Delta Style Connector

CONSTRUCTION: PVC Hose - Stainless Steel Braid - Brass Nuts - Brass Sleeve - Brass Barbs - Rubber Washer - Steel Ferrules

FINISH: Stainless Steel Braiding
Nickel Plated Brass Hex Nuts

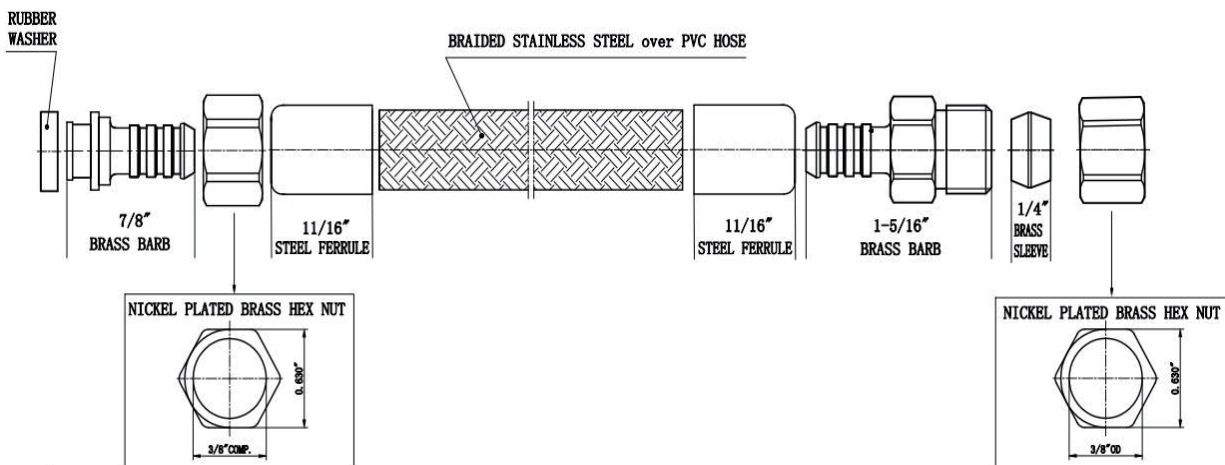
FLOW RATE: 125 PSI Max. Burst Pressure
200 °F Max Working Temp.

CODE APPROVALS:

cUPC And CSA approval - meets NSF-61 standards

PART#	DESCRIPTION	FINISH
LS-BSDC-20	Stainless Steel Braided 3/8" Female Comp x 3/8" Male Comp x 20" Delta Style Connector	Stainless

ROUGH IN DRAWING



ALL DIMENSIONS SHOWN ARE NOMINAL