

1/2" FIP CONNECTION BRASS SILLCOCK



TECHNICAL DATA

DESCRIPTION:
1/2" FIP Connection Brass Sillcock

CONSTRUCTION:
Brass Body / Stem / Bonnet, EPDM Rubber Gasket, Cast Iron Handle, Aluminium Name Plate

FEATURE:
Maximum Pressure: 125 PSI
Maximum Temperature: 160 °F
Outlet 3/4" Hose Thread Complies with ANSI B1.20.7
Inlet Pipe Thread Complies with ANSI B1.20.1
Designed for use in irrigation applications, but it is not intended for drinking water applications

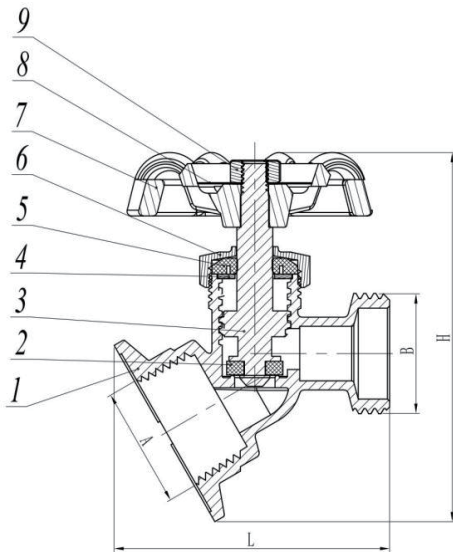
CODE APPROVALS:
CUPC Listed

PART#	DESCRIPTION	FINISH
SC-FIP-12	1/2" FIP Connection Brass Sillcock	Forged



Country of origin: China

ROUGH IN DRAWING



NO.	Part Name	Material
1	Body	Brass
2	Rubber Gasket	EPDM
3	Stem	Brass
4	Gasket	SS304
5	Rubber Gasket	EPDM
6	Bonnet	Brass
7	Handle	Cast Iron
8	Name Plate	Aluminium
9	Packing Nut	SS304

Item No.	Description	A	B	H	L
SC-FIP-12	1/2" FIP x 3/4" MHT Multi-Turn Brass Sillcock Valve	1/2"NPT	3/4"-11.5NH	80	60

ALL DIMENSIONS SHOWN ARE NOMINAL

Meets requirements for CUPC