

Specification

Vitreous China Toilet



Toilet seat not included

Fixture dimensions and hydraulic performance meet or exceed ANSI/ASME standard A112.19.2M and CAN/CSA B-45 requirements.

DESCRIPTION

Elongated 1.28GPF(4.8LPF)
3" Flush Valve/Flapper Toilet

15-1/5" (386mm) Rim Height

Large Water Surface

2" Wide Fully Glazed Trap

12" Rough-in

High Performance Flushing System

Min. Water Pressure: 28 PSI

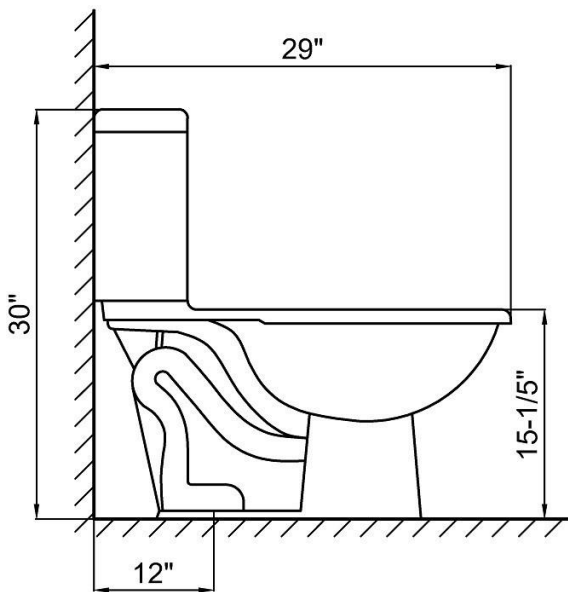
Water Surface: 8-5/8" x 6-7/8"

Flush System: Siphon Jet Gravity Flushing System

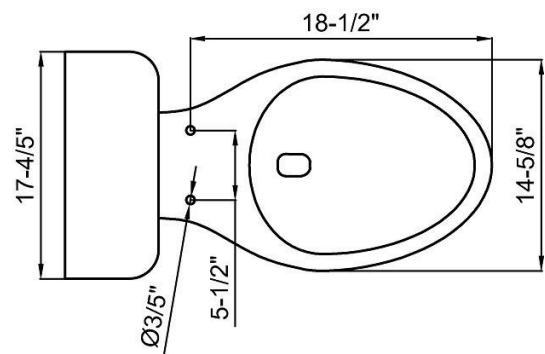
Material: Vitreous China Tank & Bowl

MAP Rating: 800 grams

Approval: cUPC and Watersense



Size: 29" x 17-4/5" x 30"



(Dimensions are subject to a variance Of +/-5%)

Model#	Description
WCT-128	1.28 GPF Tank, Left Hand Trip Lever, White, 12" Rough 3" Flapper 2 Bolt Connection
WCB-EL	Elongated Bowl, 15-1/5" Rim Height, White, 2" Trap

