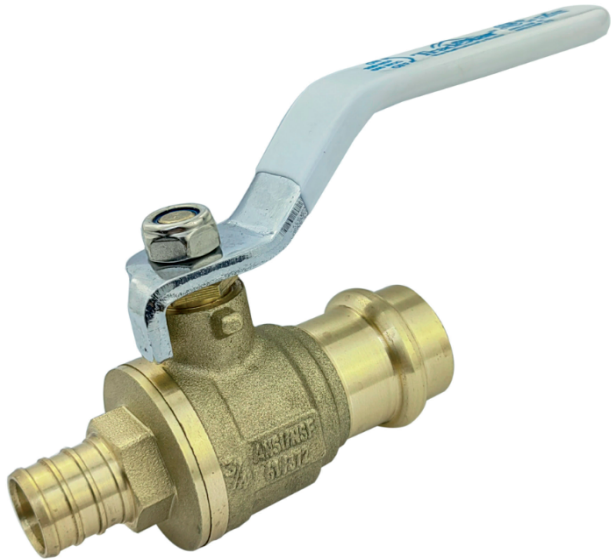


3/4" PRESS X PEX (F1807) BALL VALVE LEAD FREE



TECHNICAL DATA

DESCRIPTION:
3/4" Press x Pex (F1807) Ball Valve Lead Free

CONSTRUCTION:
Lead Free Brass Body And Stem, A3 Steel Handle
Steel Nuts, PTFE Liner and Seals.

FINISH:
Forged Brass finish

CODE APPROVALS:
CSA Listed. Complies w/ NSF-61, NSF-372

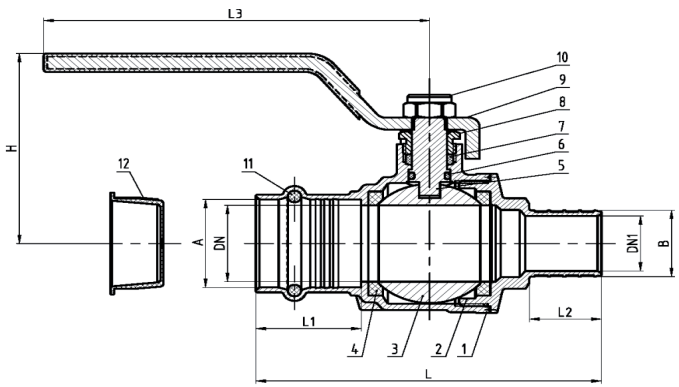
PACKAGING:
Inner carton: 8
Master carton: 72

PART#	DESCRIPTION	FINISH
BV-PRSXPEX-34	3/4" Press x Pex (F1807) Ball Valve Lead Free	FORGED



Country of origin: China

ROUGH IN DRAWING



12	Plastic jacket	NYLON	1
11	O-ring	EDPM	1
10	Nuts	SUS304	1
9	Handle	A3	1
8	Pressed Cap	C38500	1
7	Liner	PTFE	1
6	O-ring	EPDM	1
5	Stem	C38500	1
4	Seals	PTFE	2
3	Valve Ball	C38500	1
2	Bonnet	C38500	1
1	Body	C38500	1
No.	Name	Material	Qty

3/4"PE x 3/4"PEX	Φ22.5 +0.1/-0.05	Φ17 +0.1/-0.03	Φ19	Φ13.7	86.3	30	16	110	57.5
SIZE	A	B	DN	DN1	L	L1	L2	L3	H

ALL DIMENSIONS SHOWN ARE NOMINAL

Meets requirements for NSF-61, NSF-372