

HANDLE EXTENSION KIT FOR BALL VALVE



TECHNICAL DATA

DESCRIPTION:
Handle Extension Kit for Ball Valve

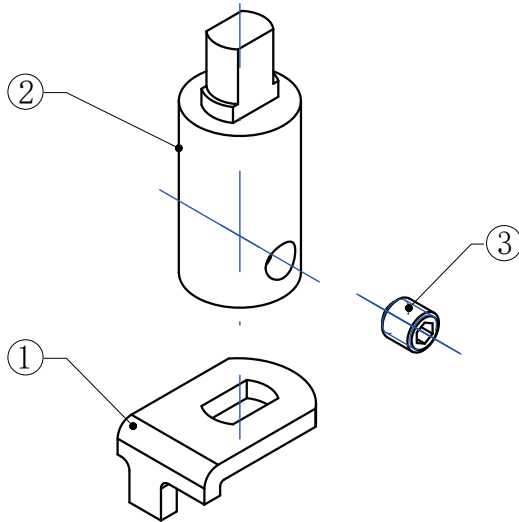
FEATURE:
Work on Tradestar series ball valves
Easy installation
Material: Steel

Part#	DESCRIPTION
BV-EXT-34	3/4" HANDLE EXTENSION KIT FOR TRADESTAR 3/4" BALL VALVE
BV-EXT-12	1/2" HANDLE EXTENSION KIT FOR 1/2" TRADESTAR BALL VALVE
BV-EXT-1	1" HANDLE EXTENSION KIT FOR 1" TRADESTAR BALL VALVE
BV-EXT-114	1-1/4" HANDLE EXTENSION KIT FOR 1-1/4" TRADESTAR BALL VALVE
BV-EXT-112-2	1-1/2" AND 2" HANDLE EXTENSION KIT FOR 1-1/2" AND 2" TRADESTAR BALL VALVE



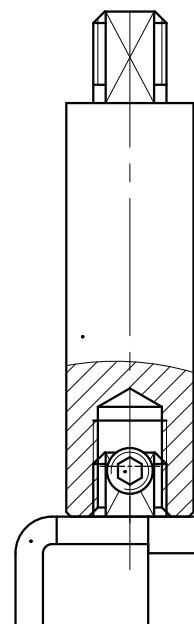
Country of origin: China

ROUGH IN DRAWING



MATERIAL LIST

Item	Part	Material
1	Stop	1008
2	Spindle	A570 Gr. A
3	Hexagon socket screw	A570 Gr. A



ALL DIMENSIONS SHOWN ARE NOMINAL