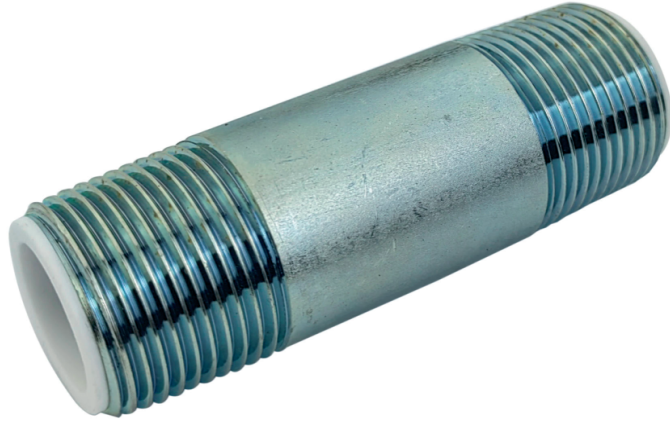


1-1/2" DIELECTRIC NIPPLE WITH INSULATOR



TECHNICAL DATA

DESCRIPTION:

- 1-1/2" X 4" Long Threaded Dielectric Nipple.
- Pressure up to 300 psi /temperature up to 230° F (110°C)
- Used to properly connect different metal piping
- Prevents the deterioration of the pipe connections and stray induced electrical currents
- NSF/ANSI 61, NSF/ANSI 372
- Steel pipe conforming to ASTM A53 Grade B

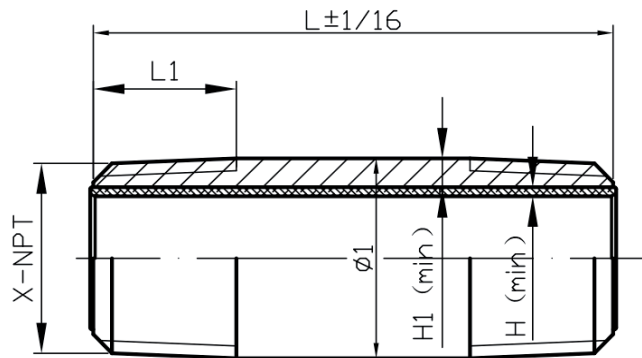
PART#
DN-112

DESCRIPTION
1-1/2" DIELECTRIC NIPPLE
WITH INSULATOR



Country of origin: China

ROUGH IN DAWING



SIZE	Φ1	L±1/16	L1	H (min)	H1 (min)	X-NPT
1-1/2X4	1.900±0.016	4	1.025	0.125	0.127	1-1/2-11.5NPT

ALL DIMENSIONS SHOWN ARE NOMINAL