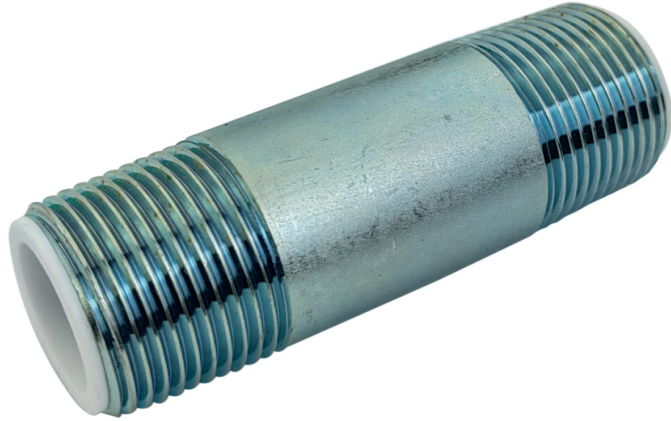


2" DIELECTRIC NIPPLE WITH INSULATOR



TECHNICAL DATA

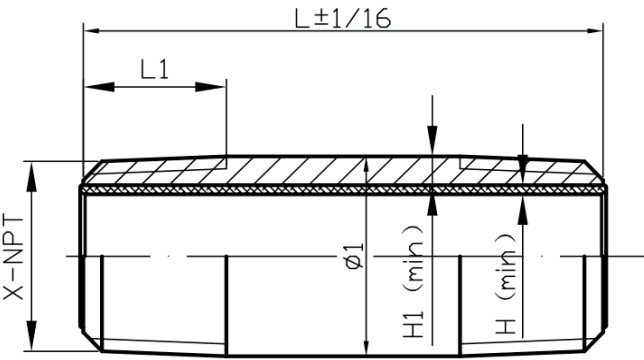
- DESCRIPTION:**
- 2" X 4" Long Threaded Dielectric Nipple.
 - Pressure up to 300 psi /temperature up to 230° F (110°C)
 - Used to properly connect different metal piping
 - Prevents the deterioration of the pipe connections and stray induced electrical currents
 - NSF/ANSI 61, NSF/ANSI 372
 - Steel pipe conforming to ASTM A53 Grade B

PART#	DESCRIPTION
DN-2	2" DIELECTRIC NIPPLE WITH INSULATOR



Country of origin: China

ROUGH IN DAWING



SIZE	Ø1	L±1/16	L1	H (min)	H1 (min)	X-NPT
2X4	2.375±0.024	4	1.058	0.125	0.135	2-11.5NPT

ALL DIMENSIONS SHOWN ARE NOMINAL