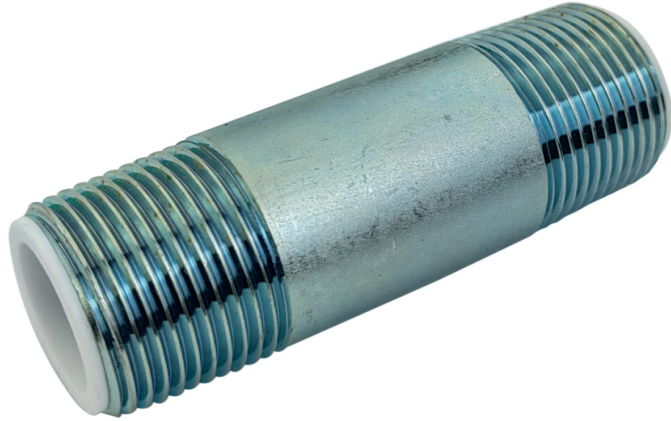


# 3/4" DIELECTRIC NIPPLE WITH INSULATOR



## TECHNICAL DATA

### DESCRIPTION:

- 3/4" X 3" Long Threaded Dielectric Nipple.
- Pressure up to 300 psi /temperature up to 230° F (110°C)
- Used to properly connect different metal piping
- Prevents the deterioration of the pipe connections and stray induced electrical currents
- NSF/ANSI 61, NSF/ANSI 372
- Steel pipe conforming to ASTM A53 Grade B

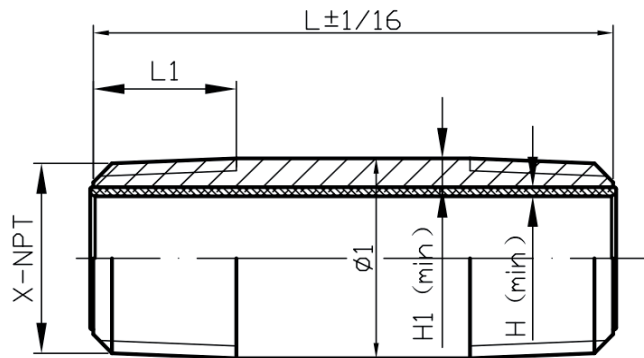
PART#  
DN-34

DESCRIPTION  
3/4" DIELECTRIC NIPPLE  
WITH INSULATOR



Country of origin: China

## ROUGH IN DAWING



SIZE	Φ1	L±1/16	L1	H (min)	H1 (min)	X-NPT
3/4X3	1.050±0.016	3	0.794	0.125	0.099	3/4-14NPT

ALL DIMENSIONS SHOWN ARE NOMINAL