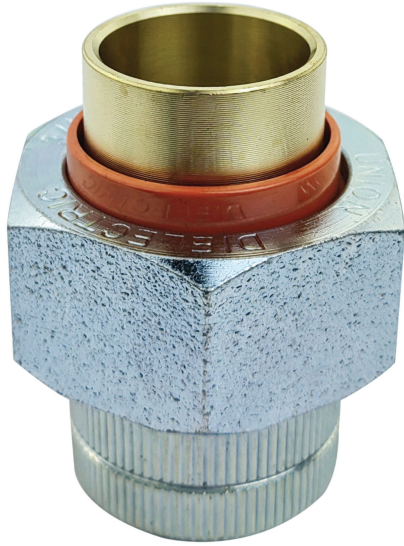


# DIELECTRIC UNION



## TECHNICAL DATA

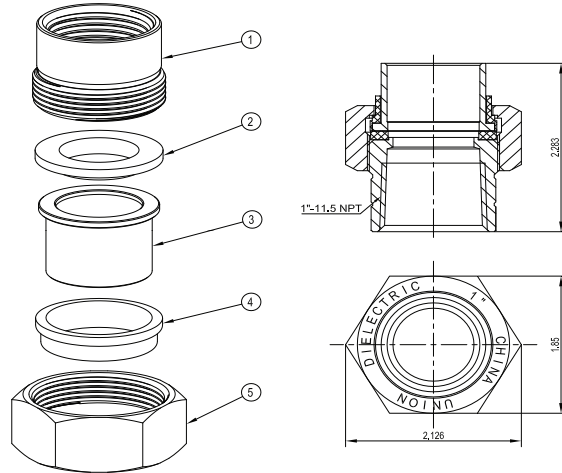
### DESCRIPTION:

- Prevents electrolysis or galvanic action when connecting dissimilar materials
- Use for FIP GALV x Brass pipe ends
- Max. temperature rating:180°F
- Max. pressure rating:250PSI
- Meets ANSI/NSF 61-2013 requirements
- CUPC&NSF/ANSI61 Certified
- Threaded connections comply with ASME B1.20.1/ASTM F1498
- Copper connections comply with ASME B16.18/ASME B16.22.

PART#	DESCRIPTION
DU-SWTXFIP-1	1" SWT X 1" FIP DIELECTRIC UNION

Country of origin: China

## ROUGH IN DRAWING



MATERIAL SPECIFICATION		
PART	MATERIAL	SPECIFICATION
1	Male Body	Steel(Galvanized coat) Q235
2	Washer	EPDM
3	Adapter	Brass UNS C46500
4	Insulator Sleeve	PSU
5	Nut	Steel(Galvanized coat) Q235

ALL DIMENSIONS SHOWN ARE NOMINAL