

3/4" BRASS CPVC BALL VALVE



TECHNICAL DATA

DESCRIPTION:
3/4" Brass CPVC Ball Valve

CONSTRUCTION:
Lead Free Brass Body, Ball, Bonnet, Stem and Gland Nut, PTFE Seal and Packing, CP Handle, EPDM O-ring, SS304 Lock Nut

FEATURE:
400 CWP, 400PSI
Minimum temperature (water): -20°F
Maximum temperature (water): 300°F
Thread ends complies with ANSI B1.20.1
Designed for residential use with water

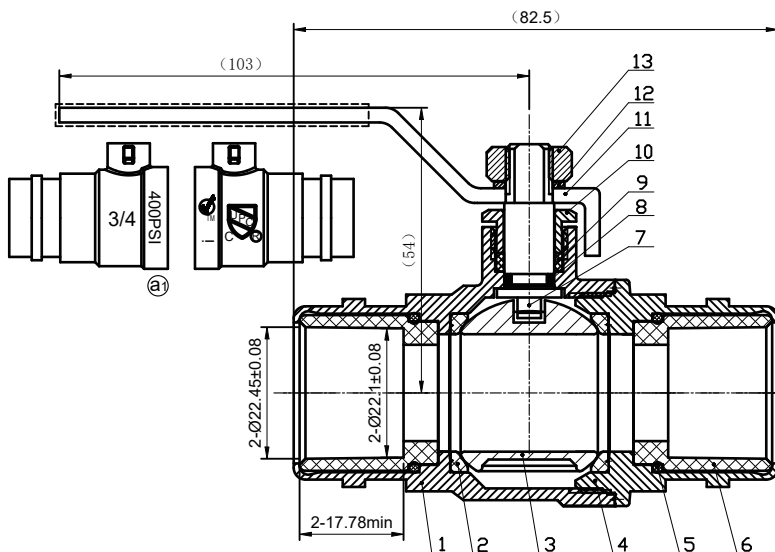
CODE APPROVALS:
Complies w/ NSF-61, NSF-372

PART#	DESCRIPTION	FINISH
BV-CPVC-BR-34	3/4" Brass CPVC Ball Valve	Forged



Country of origin: China

ROUGH IN DRAWING



13	Lock Nut	SS304	1
12	Washer	3Cr13	1
11	Lever Handle CP	Q235+PVC	1
10	Gland Nut	Brass	1
9	Packing	PTFE	1
8	O-Ring	EPDM	1
7	Stem	Brass	1
6	CPVC Pipe Fitting	CPVC	2
5	O-Ring	EP7118F	2
4	Bonnet	Lead Free Brass	1
3	Ball	Lead Free Brass	1
2	Seat Seal	PTFE	2
1	Valve Body	Lead Free Brass	1
No.	Name	Material	Qty

ALL DIMENSIONS SHOWN ARE NOMINAL

Meets requirements for NSF-61, NSF-372