

HANDLE EXTENSION KIT FOR PRESS BALL VALVE



TECHNICAL DATA

DESCRIPTION:
Handle Extension Kit for Press Ball Valve

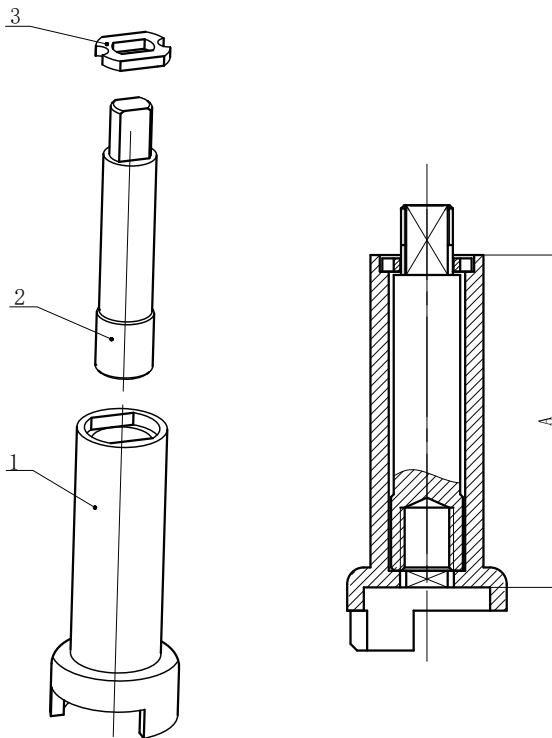
FEATURE:
Work on Tradestar series press ball valves
Extend the valve handle approximately 2” higher from it’s original position
Easy installation
Material: brass

Part#	DESCRIPTION
BV-EXT-PRS-1234	HANDLE EXTENSION KIT FOR 1/2" AND 3/4" TRADESTAR PRESS BALL VALVES
BV-EXT-PRS-1	HANDLE EXTENSION KIT FOR 1" TRADESTAR PRESS BALL VALVES
BV-EXT-PRS-114112	HANDLE EXTENSION KIT FOR 1-1/4" AND 1-1/2" TRADESTAR PRESS BALL VALVES
BV-EXT-PRS-2	HANDLE EXTENSION KIT FOR 2" TRADESTAR PRESS BALL VALVES



Country of origin: China

ROUGH IN DRAWING



MATERIAL LIST

Item	Part	Material
1	Sleeve	Brass
2	Core Shaft	Brass
3	Fixed piece	A570 Gr. A

Dimension	
Size	A
1/2"-2"	2.047

ALL DIMENSIONS SHOWN ARE NOMINAL