

# Specification

## AC Disconnect Side Opening

### Features

Fast installation

Heavy duty lugs

Pull-out head and pull-in terminal all copper

Polyester powder coated galvanized steel

Durable construction

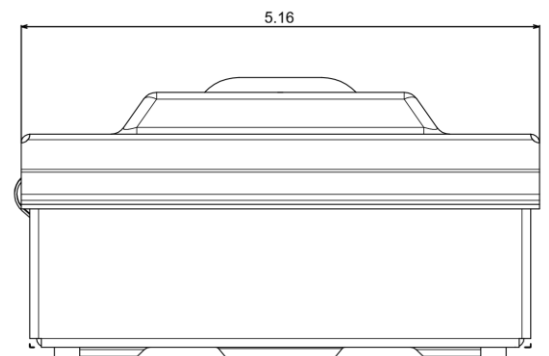
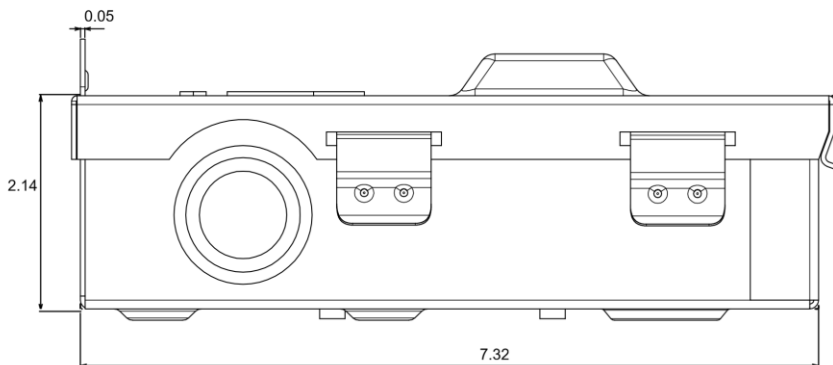
Box can be locked with pull-out stored inside in the OFF position

Non-fused pull-out indicates On/Off position

6 Multi-size knockouts on 4 sides

Heat pump/water heater/spa/hot tub indoor/outdoor use

cULus approved



Unit: inches

Model#	Description
60ADC-S	Side Opening 60AMP Non-fused Air Conditioner Disconnect

