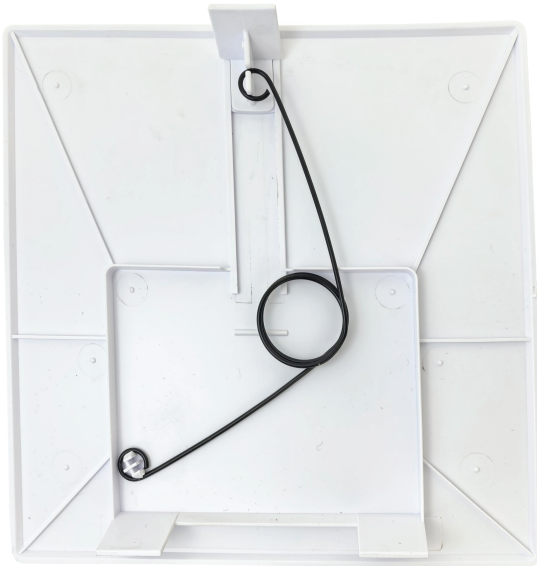


ACCESS PANEL



TECHNICAL DATA

DESCRIPTION:

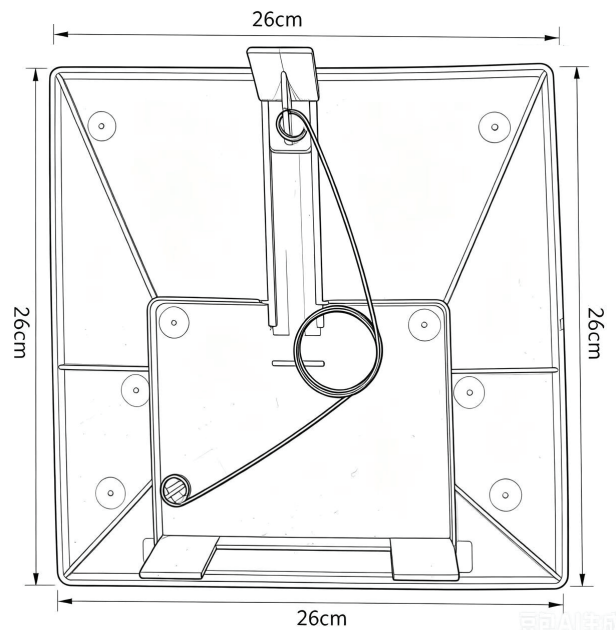
- Durable ABS Material.
- Its Spring-mount Style Allows For Easy Installation.
- Easily Installs Before or After Wallboard Installation.
- No Need for Glue or Adhesives.
- Could Be Painted or Wallpapered.

PART#
AP-8X8-SL

DESCRIPTION
SPRING LOADED
ACCESS PANEL 8X8 PLASTIC

Country of origin: China

ROUGH IN DRAWING



ALL DIMENSIONS SHOWN ARE NOMINAL