

FEMALE NPT SPRING BRASS CHECK VALVE



TECHNICAL DATA

DESCRIPTION:
Female NPT Spring Brass Check Valve

FEATURE:
NPT threaded ends
Lead free brass construction
Spring loaded
Horizontal or vertical installation

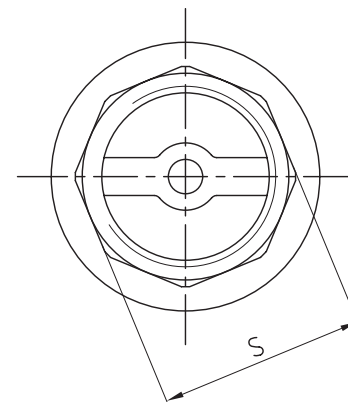
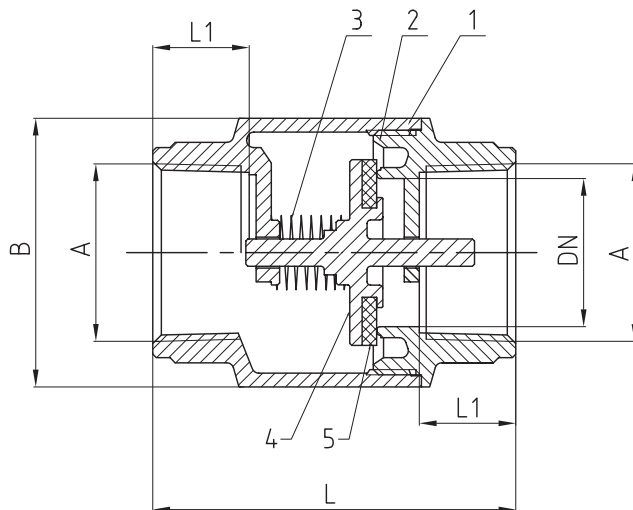
CODE APPROVALS:
UPC is listed by the third party
Complies w/NSF-61

PART #	DESCRIPTION
CV-SPRG-NPT-12	1/2 " FEMALE NPT SPRING BRASS CHECK VALVE
CV-SPRG-NPT-34	3/4" FEMALE NPT SPRING BRASS CHECK VALVE
CV-SPRG-NPT-1	1" FEMALE NPT SPRING BRASS CHECK VALVE
CV-SPRG-NPT-114	1-1/4" FEMALE NPT SPRING BRASS CHECK VALVE
CV-SPRG-NPT-112	1-1/2" FEMALE NPT SPRING BRASS CHECK VALVE
CV-SPRG-NPT-2	2" FEMALE NPT SPRING BRASS CHECK VALVE



Country of origin: China

ROUGH IN DRAWING



6	2" F X 2" F	2"-11.5NPT	Φ78	Φ49	7	19	65
5	1-1/2" F X 1-1/2" F	1-1/2"-11.5NPT	Φ67	Φ39.5	76.5	18.5	53
4	1-1/4" F X 1-1/4" F	1-1/4"-11.5NPT	Φ59.5	Φ31.5	65	17	46
3	1" F X 1" F	1"-11.5NPT	Φ43.5	Φ26.5	57.5	16	37
2	3/4" F X 3/4" F	3/4"-14NPT	Φ39	Φ21.5	52.7	14	30.5
1	1/2" F X 1/2" F	1/2"-14NPT	Φ32	Φ18	49	13	24.5
No.	Size	A	B	DN	L	L1	S

5	Spool Gasket	Silicone Rubber	1
4	Spool	Brass	1
3	Spring	Steel	1
2	Bonnet	Brass	1
1	Body	Brass	1
No.	Name	Material	Qty

ALL DIMENSIONS SHOWN ARE NOMINAL

Meets requirements for NSF-61
 Approved