

FEMALE NPT SWING BRASS CHECK VALVE



TECHNICAL DATA

DESCRIPTION:
Female NPT Swing Brass Check Valve

FEATURE:
NPT threaded ends
Lead free brass construction
Temperature range: -10 to 120°C
Pressure rating: 200 PSI Non-shock WOG

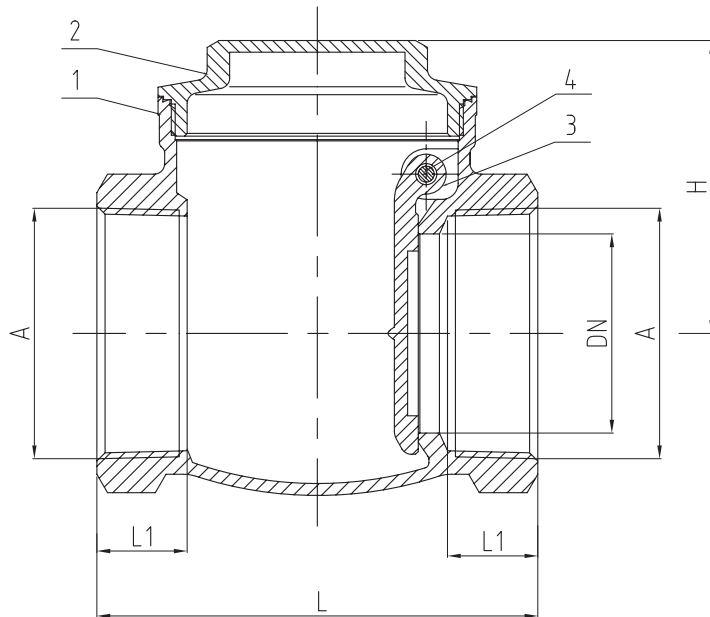
CODE APPROVALS:
UPC is listed by the third party
Complies w/NSF-61

PART #	DESCRIPTION
CV-SWNG-NPT-12	1/2" FEMALE NPT SWING BRASS CHECK VALVE
CV-SWNG-NPT-34	3/4" FEMALE NPT SWING BRASS CHECK VALVE
CV-SWNG-NPT-1	1" FEMALE NPT SWING BRASS CHECK VALVE
CV-SWNG-NPT-114	1-1/4" FEMALE NPT SWING BRASS CHECK VALVE
CV-SWNG-NPT-112	1-1/2" FEMALE NPT SWING BRASS CHECK VALVE
CV-SWNG-NPT-2	2" FEMALE NPT SWING BRASS CHECK VALVE



Country of origin: China

ROUGH IN DRAWING



4	Fixed Screw	Stainless Steel	1
3	Sealplate	Brass	1
2	Bonnet	Brass	1
1	Body	Brass	1
No.	Name	Material	Qty

6	2"F X 2"F	2"-11.5NPT	Φ47	96	18	64.5
5	1-1/2"F X 1-1/2"F	1-1/2"-11.5NPT	Φ37.5	83	17	54.5
4	1-1/4"F X 1-1/4"F	1-1/4"-11.5NPT	Φ30	73	16	49.5
3	1"F X 1"F	1"-11.5NPT	Φ24	67.5	15	43.5
2	3/4"F X 3/4"F	3/4"-14NPT	Φ18.5	55.5	13	37
1	1/2"F X 1/2"F	1/2"-14NPT	Φ14	50	12	33
No.	Size	A	DN	L	L1	H

ALL DIMENSIONS SHOWN ARE NOMINAL

Meets requirements for NSF-61
 Approved