

PRESS SWING BRASS CHECK VALVE



TECHNICAL DATA

DESCRIPTION:
Press Swing Brass Check Valve

FEATURE:
Connections: press
Lead free brass construction
Temperature range: -10 to 120°C
Pressure rating: 200 PSI Non-shock WOG

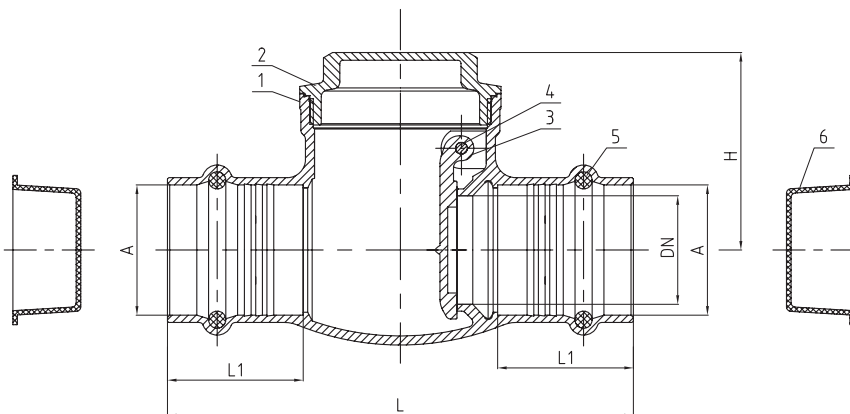
CODE APPROVALS:
UPC is listed by the third party
Complies w/NSF-61

PART #	DESCRIPTION
CV-SWNG-PRS-12	1/2" PRESS SWING BRASS CHECK VALVE
CV-SWNG-PRS-34	3/4" PRESS SWING BRASS CHECK VALVE
CV-SWNG-PRS-1	1" PRESS SWING BRASS CHECK VALVE
CV-SWNG-PRS-114	1-1/4" PRESS SWING BRASS CHECK VALVE
CV-SWNG-PRS-112	1-1/2" PRESS SWING BRASS CHECK VALVE
CV-SWNG-PRS-2	2" PRESS SWING BRASS CHECK VALVE



Country of origin: China

ROUGH IN DRAWING ALL DIMENSIONS SHOWN ARE NOMINAL



No.	Name	Material	Qty
6	Plastic Jacket	Nylon	2
5	O-ring	EPDM	2
4	Fixed Screw	Stainless Steel	1
3	Sealplate	Brass	1
2	Bonnet	Brass	1
1	Body	Brass	1

6	2" PRS X 2"PRS	$\Phi 54^{+0.16}_{+0.06}$	$\Phi 47$	151	38	64.5
5	1-1/2" PRS X 1-1/2"PRS	$\Phi 41.3^{+0.15}_{+0.05}$	$\Phi 37.5$	125	33.5	54.5
4	1-1/4" PRS X 1-1/4"PRS	$\Phi 35^{+0.15}_{+0.05}$	$\Phi 30$	109	29	49.5
3	1" PRS X 1"PRS	$\Phi 28.7^{+0.05}_{-0.04}$	$\Phi 24$	101	29	43.5
2	3/4" PRS X 3/4"PRS	$\Phi 22.3^{+0.07}_{-0}$	$\Phi 18.5$	93	29	37
1	1/2" PRS X 1/2"PRS	$\Phi 16^{+0.02}_{-0.05}$	$\Phi 14$	86	27	33
No.	Size	A	DN	L	L1	H

Meets requirements for NSF-61
Approved