

# SWEAT SWING BRASS CHECK VALVE



## TECHNICAL DATA

**DESCRIPTION:**  
Sweat Swing Brass Check Valve

**FEATURE:**  
Connections: sweat  
Lead free brass construction  
Temperature range: -10 to 120°C  
Pressure rating: 200 PSI Non-shock WOG

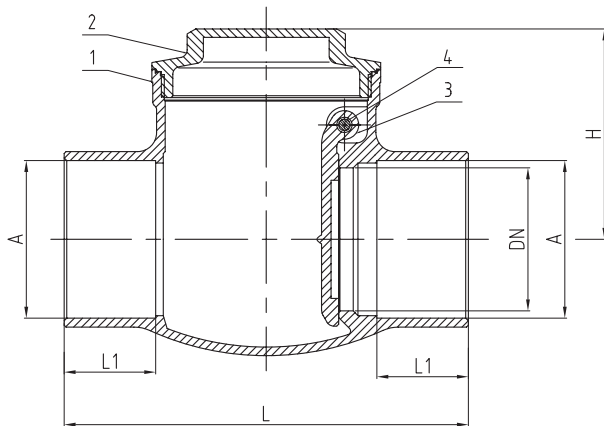
**CODE APPROVALS:**  
UPC is listed by the third party  
Complies w/NSF-61

PART #	DESCRIPTION
CV-SWNG-SWT-12	1/2" SWEAT SWING BRASS CHECK VALVE
CV-SWNG-SWT-34	3/4" SWEAT SWING BRASS CHECK VALVE
CV-SWNG-SWT-1	1" SWEAT SWING BRASS CHECK VALVE
CV-SWNG-SWT-114	1-1/4" SWEAT SWING BRASS CHECK VALVE
CV-SWNG-SWT-112	1-1/2" SWEAT SWING BRASS CHECK VALVE
CV-SWNG-SWT-2	2" SWEAT SWING BRASS CHECK VALVE



Country of origin: China

## ROUGH IN DRAWING ALL DIMENSIONS SHOWN ARE NOMINAL



4	Fixed Screw	Stainless Steel	1
3	Sealplate	Brass	1
2	Bonnet	Brass	1
1	Body	Brass	1
No.	Name	Material	Qty

6	2"C X 2"C	$\Phi 54_{+0.06}^{+0.16}$	$\Phi 47$	135	34.3	64.5
5	1-1/2"C X 1-1/2"C	$\Phi 41.3_{+0.05}^{+0.15}$	$\Phi 37.5$	106	24	54.5
4	1-1/4"C X 1-1/4"C	$\Phi 35_{+0.05}^{+0.15}$	$\Phi 30$	95	22	49.5
3	1"C X 1"C	$\Phi 28.7_{-0.04}^{+0.05}$	$\Phi 24$	83	20	43.5
2	3/4"C X 3/4"C	$\Phi 22.3_{-0}^{+0.07}$	$\Phi 18.5$	68	16.5	37
1	1/2"C X 1/2"C	$\Phi 16_{-0.05}^{+0.02}$	$\Phi 14$	56	13	33
No.	Size	A	DN	L	L1	H

Meets requirements for NSF-61  
 Approved